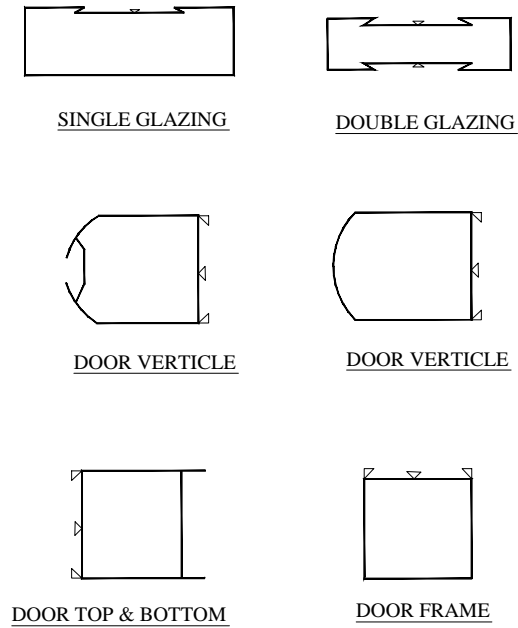
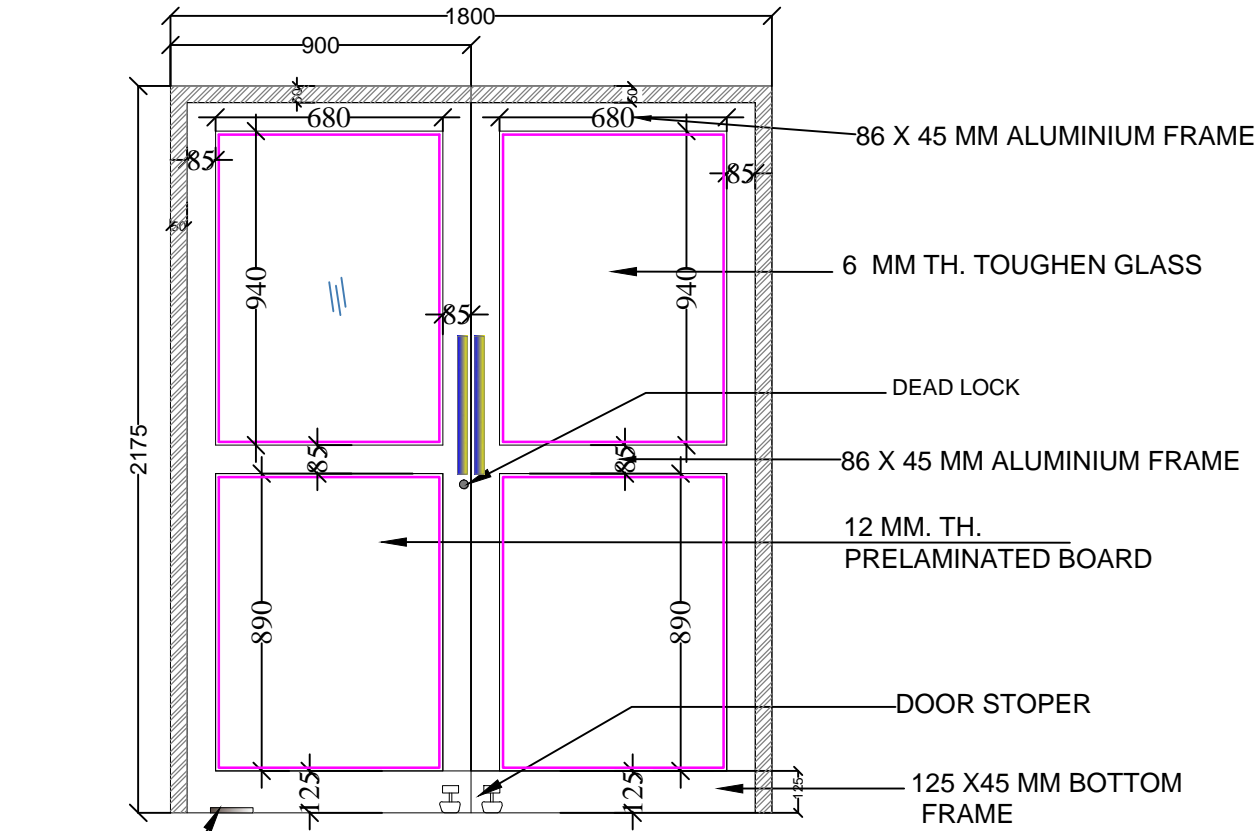
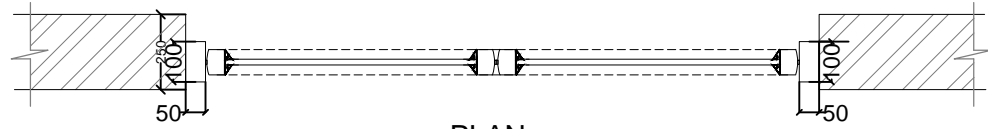


NOTE:-
 * THIS DRAWING MAY CHANGE AS PER SITE CONDITION * ALL THE DIMENSIONS ARE IN MM * THE LAYOUT OF THE BUILDING SHALL BE INDICATED AS PER THE CO-ORDINATE MEASUREMENT WITH RELATION TO THE PLOT BOUNDARY * FOR DETAIL OF ROOF BEAM, SLAB, PLINTH BEAM REFER STYL. DWG. * FOR DETAIL SPECIFICATION REFER B.O.G.



DOOR (D1)
 SIZE: 1800X2175(Including Chowkath)
 TYPE : DOUBLE LEAF PARTLY GLAZED
DOOR
FRONT ELEVATION



PLAN
 DOOR (D1) 1800X2175

SCHEDULE OF SECTION FOR DOOR			
TYPE	SINGLE GLAZING	DOOR VERTICLE	DOORTOP & BOTTOM
SECTION NO.	5925	5925	5934
WEIGHT	2.340 KG/M.	2.340 KG/M.	2.502 KG/M.
TYPE	DOUBLE GLAZING	DOOR VERTICLE	DOOR FRAME
SECTION NO.	5932	5833	5862A
WEIGHT	2.412 KG/M.	0.600 KG/M.	0.575 KG/M.

REMARKS SIGNATURE

1			
2			
3			
4			
5			

DETAIL OF DOOR (D1)

DATE	SCALE	
PROJECT NO.		
PROJECT NAME		
PROJECT ADDRESS		
PROJECT DIRECTOR		

NATIONAL LAW UNIVERSITY, ORISSA

PROJECT DIRECTOR

PROJECT MANAGEMENT CONSULTANT

DESIGN & DRAWN BY

CONSULTANT
 PATA ARCHITECTURE
 AND ENGINEERING
 CONSULTANTS PVT. LTD.
 INDIA

RELEASED FOR

CONFIDENTIAL
 TENDER INFORMATION
 APPROVAL
 CONSTRUCTION