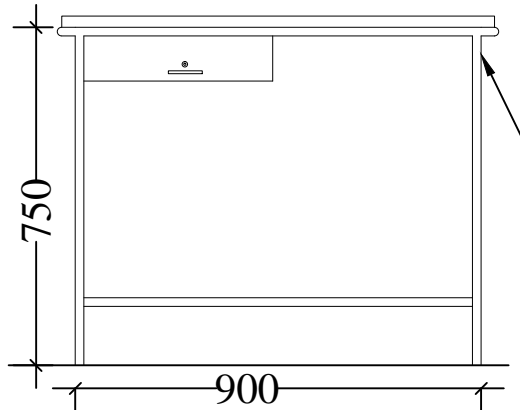
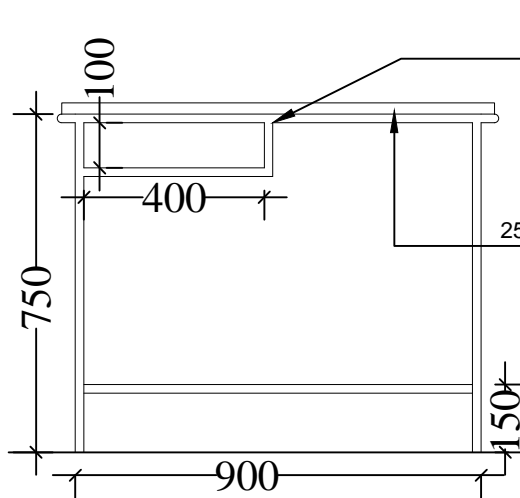


PLAN OF STUDY TABLE
SIZE-(900X600X750 MM)



REAR ELEVATION OF STUDY TABLE

THE EXPOSED SURFACE
FINISHED WITH 1MM
LAMINATE AND INSIDE
FINISHED WITH ENAMEL
PAINT.

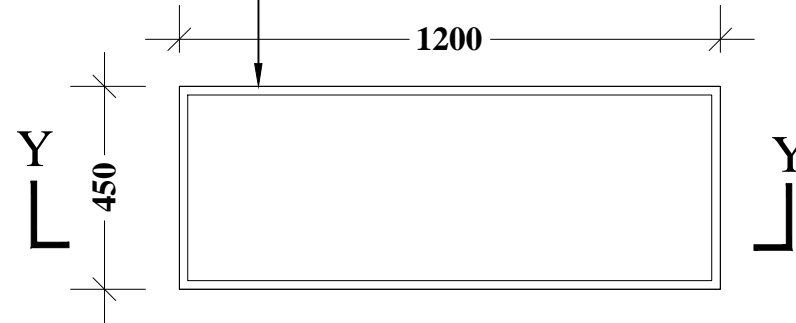


REAR ELEVATION OF STUDY TABLE

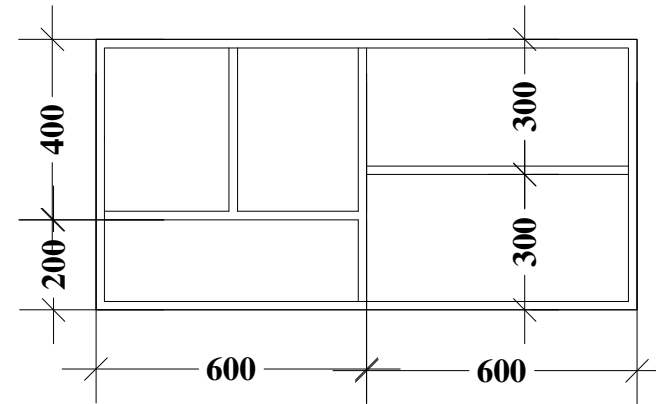
19 MM BLOCK BOARD TOP, VERTICAL AND
MODESTY WITH ONE DRAWER AND
NECESSARY TEAK WOOD BEADING WITH
MELAMINE POLISH ALL AROUND.

25 MM POST FORMING TOP

19 MM PLY WITH FLEXI LAMINATE POST
FORMING INSIDE FINISHED WITH BALANCING
LAMINATE EDGE COVERED WITH 2MM. PVC
AS BINDING FITTED WITH AUTO HINGES .



PLAN OF BOOK SHELVES
SIZE (1200X450X600)



SECTION THROUGH Y-Y
SIZE (1200X450X600)

NOTE -
1. ALL DIMENSIONS ARE IN MM.
2. THIS DRAWING MAY CHANGE
AS PER SITE CONDITION.
3. FOR DETAIL SPECIFICATION REFER
P/04.

GH-IID/04
PROJECT
GIRLS HOSTEL-II

TENDER
PROPOSED
NATIONAL LAW
UNIVERSITY, ORISSA
KALAHATI, P.O.
DATE: _____

MANONJAY RATH
ARCHITECT

NO.	DATE	BY (D/S)	REVISION
1			
2			
3			
4			
5			

DETAIL OF STUDY TABLE & BOOK SHELVES

YEAR: 2017 N.T.S.
DATE: _____ SCALE: _____
DRAWN: _____ CHECKED: _____
DATE: _____ DATE: _____
BY: _____ BY: _____
DATE: _____ DATE: _____

NATIONAL LAW UNIVERSITY, ORISSA
PROJECT DIRECTOR

PROJECT MANAGER
CONTRACT NO. _____

DESIGN & DRAWN BY:
CONSULTANT: **PAVA ARCHITECTURE AND ENGINEERING CONSULTANTS**
P/04, BHUBANESHWAR, INDIA

RELEASED FOR:
CONCEPTUAL:
TENDER:
INFORMATION:
APPROVAL:
CONSTRUCTION: